

2009 Latino Veterans Summit

Education, Employment, Entrepreneurship

Millennium Biltmore Hotel

Los Angeles, California | December 3-5, 2009

“To care for those who shall have borne the battle”



Community Prosperity Partnership



Working Together to Strengthen America

2 Table of Contents & Sponsors

Contents

- 2 | Sponsors & LULAC National Staff
- 3 | Letter from the LULAC President
- 3 | LULAC National Board
- 5 | Letter from Mayor of Los Angeles
- 7 | Exhibitor List and Opportunity Expo
- 9 | Brief Agenda & Hotel Layout
- 11 | Program Agenda
- 15 | Featured Events

LULAC National Staff

LULAC National Office, Washington, DC

Brent Wilkes, National Executive Director
Maritza Bosques, Executive Assistant
Jorge Trasmonte, Director of Technology
David Perez, Director of Development
Lizette J. Olmos, Communications Director
Elizabeth Garcia, Program Manager & Policy Analyst
Iris Chavez, Education Policy Coordinator
Mario Marsans, Special Projects Coordinator
Amanda Lee Keammerer
Community Relations Coordinator & Program Associate
Jose Garza, Director of Housing Services
Silvia Perez-Rathell, Director of Corporate Relations
Luis Nuño Briones, Photographer and Designer

Interns

Martin Uribe, Immigration & Housing Intern
Karina Navas, Development Intern
Jacqueline Elliot, Education Intern
Ericka Pilecki, Policy Intern
Jasmine Rivas, High School Intern
Ana-Elisa Gentile, High School Intern
Vanessa Trasmonte, Volunteer

LULAC Fiscal Office, El Paso, Texas

Carolina Muñoz, Chief Financial Officer
Lupe Morales, Membership Director
Sandra Caraveo, Fiscal Assistant

LULAC President's Office, San Antonio, TX

Elia Mendoza, Special Assistant to the President
Jennifer Castillo, Administrative Assistant

Sponsors

Title Sponsor

United States Department of Defense



Patron Sponsor

United States Department of Veterans Affairs



Patriot Sponsor

AARP



Table Sponsor

Fox Media Group

Workshop Sponsors

Walmart

Nissan

President's Message:

Welcome to the 4th Annual Latino Veterans Summit!

Dear Friends of LULAC,



As the leading summit addressing the needs of Hispanic veterans, the Latino Veterans Summit brings together top government, business, military and community leaders. The fourth annual Veterans Summit is a partnership between LULAC, the American GI Forum and the Department of Veterans Affairs that serves our nation's veterans and the local communities in which they live.

Issues of critical importance to U.S. veterans and their families in a state with over 13.2 million Latino residents will be addressed. In attendance will be key Obama Administration Appointees, political leaders, government experts, local elected officials, and respected business and community leaders. Seminars and workshops will feature expert panelists addressing the issues that affect our veterans the most, including access to benefits, education and employment opportunities, entrepreneurship and health care. In addition, the summit will feature workshops for students seeking information about civilian and military career opportunities.

We thank our partners for supporting the summit through event sponsorships and participation in the veterans opportunity expo, advertisements in the event program, and by honoring our war heroes at the dinner, breakfast and luncheons.

We look forward to hosting you in Los Angeles in what promises to be our most successful summit ever!

Sincerely,

Rosa Rosales
LULAC National President
Summit Chair

LULAC Board

National Officers

Rosa Rosales, National President
Hector Flores, Immediate Past President
Roger Rocha, National Treasurer
Jessica I. Martinez, National Youth President
Lydia Martinez, VP for the Elderly
Regla Gonzalez, VP for Women
Bertha Urteaga, VP for Youth
Michelle Pelayo, VP for Young Adults
Angel Luevano, VP for Farwest
Maggie Rivera, VP for Midwest
Toula Politis Lugo, VP for Northeast
Ivonne Quiñones, VP for Southeast
Sylvia Gonzales, VP for Southwest

Appointments

Luis Vera, National Legal Advisor
Ray Velarde, Legal Counsel
Angie Garcia, Chief of Staff
Theresa Venegas Filberth, National Secretary
Margaret Moran, National Parliamentarian
Blanca Vargas, National Chaplain
Vince Luna, Veterans Affairs Chair

State Directors

Ana Valenzuela Estrada, Arizona
Alejandro Aviles, Arkansas
Argentina Davila-Luevano, California
Tom Duran, Colorado
Ada R. Peña, District of Columbia
José A. Fernández, Florida
Art Bedard, Georgia
Carolina Sanchez-Crozier, Illinois
Debra Gonzalez, Indiana
Gilbert Sierra, Iowa
Elias L. Garcia, Kansas
Esther Degraives AguirZaga, Massachusetts
Rene Orozco, Nevada
Rose Satz, New Jersey
Pablo Martinez, New Mexico
Ralina Cardona, New York
Jose Luis Arzola, North Carolina
Jason Riveiro, Ohio
German Trejo, Pennsylvania
Haydee Rivera, Puerto Rico
Joey Cardenas, Texas
Samuel McTyre, Virginia
Darryl D. Morin, Wisconsin
Pedro De la Cerda, Washington



Demobilization Initiative



Facilitate VA Healthcare enrollment and educate combat veterans on new extended Health and Dental Benefits.

Post-Deployment Health Reassessment



Screening for PTSD, Women's Health, Readjustment, Traumatic Brain Injury, Alcohol, Military Sexual Trauma, Depression

Yellow Ribbon Reintegration/Welcome Home Events



30-60-90 day programs for returning National Guard/ Reserve members to learn about VA services/benefits

Military Liaisons at VA



Coordinate care for severely injured warriors at VA sites

Disability Evaluation System



Reaching out to provide a full range of VA services to medically separated veterans

Wounded Warrior Resource Center



Resource call center to resolve immediate need for VA services/benefits

Transition Assistance Advisors (VA/NG Partnership)



Coordinate access to care for returning National Guard/ Reserve veterans

Warriors in Transition Collaboration



Linkages between military leadership in Warrior Transition Units and VA Health Care Leadership

Combat Veteran Call Center



Contacting all returning combat veterans to introduce them to or assist with VA Health Care and other services.

OEF/OIF Internet



A modern day information portal for our newest generation of veterans

Reaching Out to COMBAT VETERANS





ANTONIO R. VILLARAIGOSA
MAYOR



November 30, 2009

Dear Friends,

On behalf of the City of Los Angeles, it is my pleasure to welcome and congratulate the members and guests attending the 4th Annual Community Prosperity Partnership Summit.

It is important that we remember and support members of our armed forces after they have served our country courageously. I commend the League of United Latin American Citizens for their service and dedication to U.S. veterans and their families. LULAC's ability to bring together community, political and business leaders is vital to the success and acknowledgement of our brave men and women.

The work of LULAC is invaluable to the nation and the City of Los Angeles.

I extend my best wishes for a productive summit and future success.

Very truly yours,

ANTONIO R. VILLARAIGOSA
Mayor

Continue Your Service to America



Join the U.S. Department of Homeland Security (DHS) — a team that is **PROUD TO PROTECT!**

DHS is a dynamic, federal organization that includes a mix of civilian and military personnel in diverse fields ranging from law enforcement, scientific and professional, technical, administrative, clerical, trades and crafts.

We value diversity in thought, life experience, education, and culture. Your experience and training, as a veteran, bring skills that may benefit many positions at DHS. We provide veterans with careers that allow for personal and professional growth and the ability to make a difference in the safety and security of our Nation.

In addition, DHS provides an attractive benefits package, including:

- 401(k) Plan
- Flexible work hours
- Excellent health benefits package
- Exceptional retirement plan
- Optional flexible life insurance
- Transit subsidies

We offer professionals, of all ages and levels of experience, extraordinary career opportunities.

Law Enforcement

- U.S. Immigration and Customs Enforcement (ICE)
- U.S. Secret Service (USSS)
- U.S. Customs and Border Protection (CBP)
- Federal Law Enforcement Training Center (FLETC)

Immigration and Travel Security

- Transportation Security Administration (TSA)
- U.S. Citizenship and Immigration Services (USCIS)

Prevention and Response

- U.S. Coast Guard (USCG)
- Federal Emergency Management Agency (FEMA)

Mission Support

- Science and Technology Directorate (S&T)
- National Protection and Programs Directorate (NPPD)
- Office of Intelligence and Analysis (I&A)
- Office of the Chief Information Officer (OCIO)
- Office of the Chief Financial Officer (OCFO)
- Office of the Chief Procurement Officer (OCPO)
- Office of Inspector General (OIG)
- Office of the Chief Human Capital Officer (OCHCO)
- Office of Policy (PLCY)



**Homeland
Security**

Proud to Protect
DHS is an equal opportunity employer.

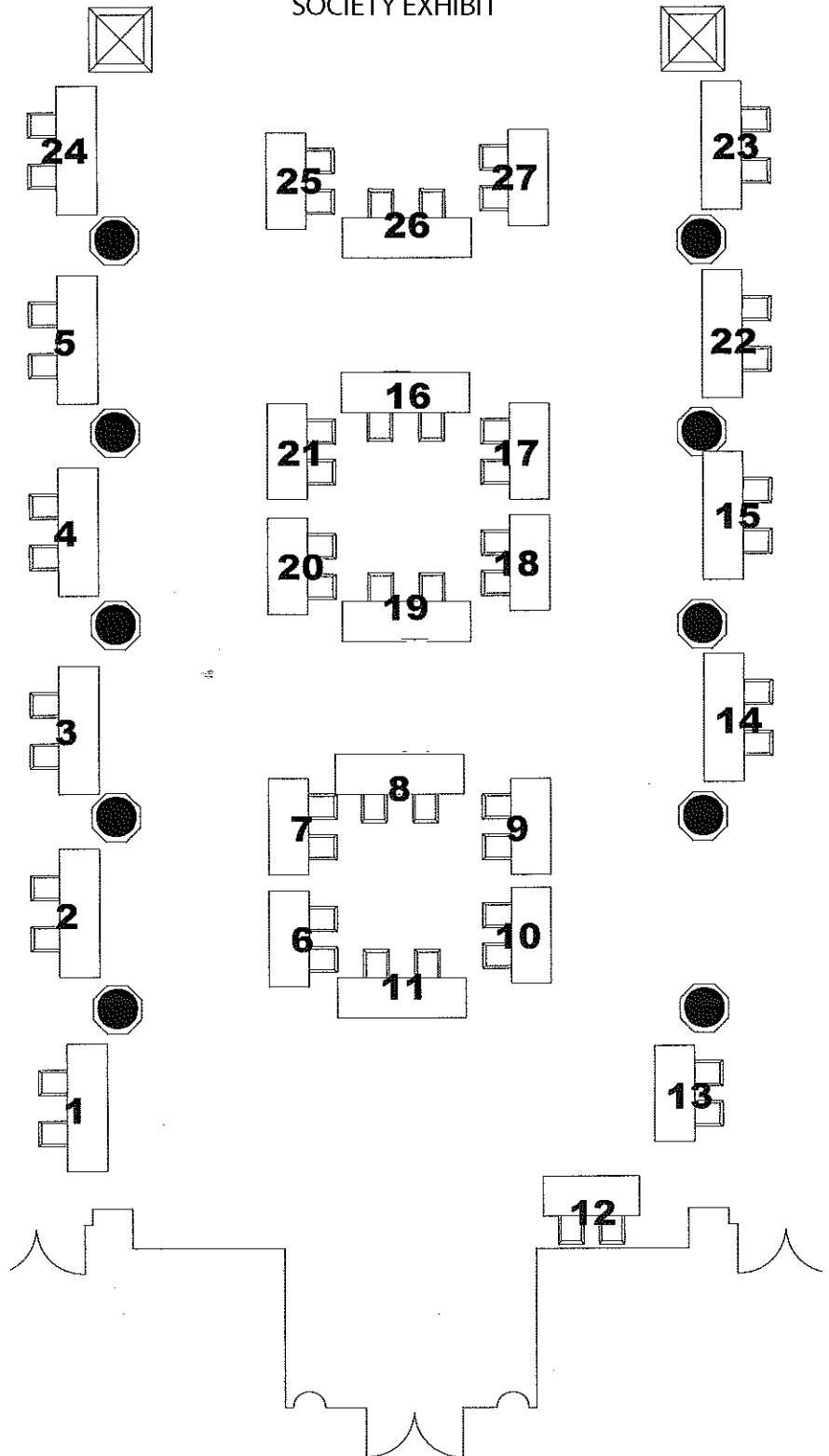
Join the team that is **PROUD TO PROTECT!**
Learn more at www.dhs.gov/veterans

Exhibitors

- AARP—13
- Defense Security Services (DSS)—4
- Defense Commissary Agency (DeCA)—9
- Hispanic Medal of Honor Society
- League of United Latin American Citizens—1
- LULAC National Educational Service Centers—2
- Naval Sea Systems Command (NAVSEA)—16
- National Geospatial-Intelligence Agency—17
- The National Guard (NGB)—21
- Transportation Security Administration—10
- U.S. Army (CIV)—20
- U.S. Census Bureau—12
- U.S. Department of Defense (DOD)—11
- U.S. Department of State (DOS) —3
- U.S. Dept. of Homeland Security (DHS)—8
- U.S. Department of Veterans Affairs—7
- U.S. Department of Veterans Affairs - NCA—6
- U.S. Marines—18
- U.S. Navy—19
- U.S. Department of Agriculture, FSIS—14
- U.S. Department of Agriculture, NRCS—15
- VA Medical Center West Los Angeles—5

Emerald Room

HISPANIC MEDAL OF HONOR SOCIETY EXHIBIT



Vietnam Veterans of America
and its Veterans Health Council

Applaud the hard work and
dedication of the

League of United Latin American Citizens

to our nation's veterans.

Together, In Service to America



VIETNAM VETERANS OF AMERICA

www.veteranshealth.org





The Crystal Ballroom



The Emerald Room

Brief Agenda

Thursday, December 3

1 pm to 5 pm	Registration	Galeria
7 pm to 9 pm	Opening Reception	Tiffany

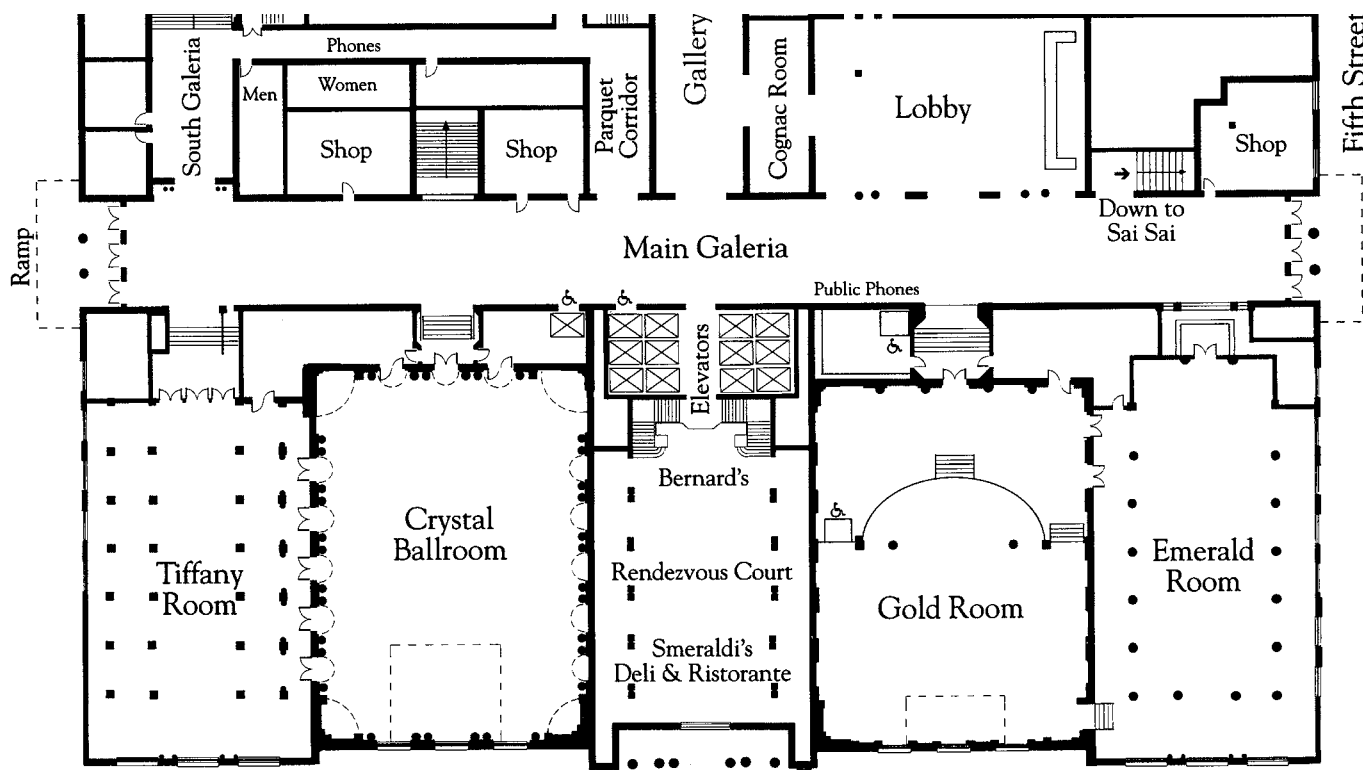
12 pm to 6 pm	Exposition and Job Fair	Emerald
12:30 to 2:00 pm	Fallen Heroes Luncheon	Crystal
2:15 to 3:45 pm	Money Smarts	Tiffany
4:00 to 5:45 PM	Climate Change & Green Jobs	Tiffany
7 pm to 10 pm	Presidential Dinner	Crystal

Friday, December 4

7 am to 5 pm	Registration	Galeria
7:30 to 10 am	Salute to Veterans Breakfast	Crystal
10 to 11:30 am	Salud! Accessing Health Benefits	Tiffany
11:30 to 12 pm	Press Conference	Bernard's
12 pm to 12:15	Ribbon Cutting Ceremony	Emerald

Saturday, December 5

8 am to 12 pm	Registration	Galeria
10 am to 4 pm	Exposition and Job Fair Open	Emerald
10:30 to 12 pm	Education & Job Opportunities	Tiffany
Noon to 2 pm	Leadership Opportunities Lunch	Crystal



Descubre que la vida es mejor cuando se comparte.



Todos los días, la vida nos da una nueva oportunidad para hacer la diferencia en los demás, concentrar nuestros esfuerzos, sembrar esperanzas y cosechar los logros del trabajo de todos.

Únete, brinda tu tiempo.



Obtén más información sobre
Compartir es VivirSM en
www.compartiresvivir.org



Thursday, December 3

1:00 - 5:00 pm Registration **Galeria**

1:00 - 5:00 pm Exhibitor Set-up **Emerald Room**

7:00 - 9:00 pm Opening Ceremony & Reception **Tiffany Room**
Sponsored by AARP

Master of Ceremonies: Brent Wilkes, LULAC National Executive Director

Opening Remarks: Mrs. Rosa Rosales, LULAC National President

Partner Remarks: Kerrie Witty, Director, Los Angeles Regional Office, Veterans Benefits Administration, U.S. Department of Veterans Affairs

Partner Remarks: Mr. Francisco Ivarra, National Commander, American GI Forum

Friday, December 4

7:00 am - 5:00 pm Registration **Galeria**

8:00 - 10:00 am Salute to Veterans Breakfast **Crystal Ballroom**

Mistress of Ceremonies: Toula Politis Lugo, LULAC National Vice President of the Northeast

Pledge of Allegiance: Michelle M. Pelayo-Osorio, LULAC National Vice President for Young Adults

Reflection: Blanca Vargas, LULAC National Chaplain

Welcome: Mrs. Rosa Rosales, LULAC National President

Remarks: Louis Caldera, Senior Fellow, Center for American Progress

Keynote Speaker: Antonio R. Villaraigosa, Mayor of Los Angeles

Remarks: Hakeem Basheerud-Deen, U.S. Office of Personnel Management, Division for Strategic Human Resources Policy, Center for Talent and Capacity Policy

10:00 - 11:30 am WORKSHOP: Salud! Accessing Health Benefits **Tiffany Room**
Sponsored by Walmart

Moderator: Maggie Rivera, LULAC National Vice President of the Midwest

Panelists:

Dr. Al Batres, Chief Officer, Office of Readjustment Counseling, VHA

Betty Zamost, Homeless Program, VA Greater LA Healthcare System, LA

Ruby Neville, MSW, LGSW, Center for Substance Abuse Treatment, Department of Health & Human Services

John Mendez, Senior Manager, Public Affairs and Government Relations, Walmart Stores

12 Program Agenda

11:30 am - noon	Press Conference	Bernard's Room
	Mrs. Rosa Rosales, LULAC National President Fernando Del Rio, National Vice Commander, American GI Forum John Sepulveda, Assistant Secretary for Human Resources and Administration, U.S. Department of Veterans Affairs	
Noon - 12:15 pm	Ribbon Cutting Ceremony: Exposition, Job Fair & Veterans Services	Bernard's Room
	<i>Mistress of Ceremonies:</i> Sylvia L. Gonzales, LULAC National Vice President of the Southwest <i>Remarks:</i> Ms. Kerrie Witty, Director Regional Office Los Angeles, Veterans Benefits Administration	
Noon - 6:00 pm	Exposition, Job Fair, Hispanic Medal of Honor Display	Emerald Room
12:30 - 2:00 pm	Fallen Heroes Luncheon	Crystal Ballroom
	Sponsored by the Department of Defense <i>Mistress of Ceremonies:</i> Norma Roque, Emmy award-winning reporter, Univision <i>Presentation of Colors:</i> Kennedy High School NJROTC <i>National Anthem:</i> NC1 Archie Folks <i>Reflection:</i> Chaplain Roy Twaddell <i>Host Remarks:</i> Clarence A. Johnson, Acting Deputy Under Secretary of Defense <i>Keynote Speaker:</i> Lieutenant Colonel James R. Cluff, Commander, 17th Reconnaissance Squadron, 432nd Operations Group, 432nd Wing, Creech Air Force Base, Nevada <i>Special Recognition:</i> Family of Major L. Eduardo Caraveo <i>Salute:</i> Mr. Rudy Hernandez, Hispanic Medal of Honor Recipient	
2:15 - 3:45 pm	WORKSHOP: Money Smarts, Managing your Personal Finances	Tiffany Room
	Sponsored by Walmart & Nissan <i>Moderator:</i> Roger Rocha, LULAC National Treasurer <i>Panelists:</i> Johnny Sharp, Operation Hope, Los Angeles Ray W. Brewer, Field Office Director, U.S. Department of Housing and Urban Development John Mendez, Senior Manager, Public Affairs and Government Relations, Walmart Stores	
4:00 - 5:45 pm	WORKSHOP: Climate Change, Green Jobs & Latinos	Tiffany Room
	Sponsored by National Hispanic Environmental Council <i>Panelists:</i> Rafael Aguilera, President, The Verde Group and former Climate Change Policy Director, Environmental Defense Fund, Sacramento Salvador Ramirez, California State Director, National Hispanic Environmental Council (NHEC), and Professional Hydrologist	

7:00 - 10:00 pm **Presidential Dinner** **Crystal Ballroom**
 Sponsored by US Department of Veterans Affairs

Master of Ceremonies: Brent Wilkes, LULAC National Executive Director

Pledge of Allegiance: Ivonne Quinones, LULAC National Vice-President of the Southeast
Reflection: Blanca Vargas, LULAC National Chaplain

Guest Remarks: General Wilma L. Vaught, U.S. Air Force (Retired) and President, Women’s in Military Service for America Memorial Foundation

Keynote Speaker: John Sepulveda, Assistant Secretary for Human Resources and Administration, U.S. Department of Veterans Affairs

Saturday, December 5

8:00 am - noon **Registration** **Galeria**

10:00 am - 4 pm **Exposition, Job Fair, Hispanic Medal of Honor Display** **Emerald Room**

10:30 am - noon **WORKSHOP: The Keys to Success...Education & Job Opportunities for Veterans** **Tiffany Room**
 Sponsored by AARP

Moderator: Hector Flores, Immediate Past LULAC National President

Panelists:
 Hakeem Basheerud-Deen, U.S. Office of Personnel Management, Division for Strategic Human Resources Policy, Center for Talent and Capacity Policy
 Ericka Lozano, Community Outreach Associate State Director, AARP
 Paul M. Plasencia, Veterans Outreach Program Manager, Department of Homeland Security

11:00 am - noon **Unveiling of the Wall of Honor (offsite event)** **Father Serra Park**

12:30 - 2:00 pm **Leadership Opportunities Luncheon** **Crystal Ballroom**
 Sponsored by the Department of Defense

Mistress of Ceremonies: Regla González, LULAC National Vice President for Women

Presentation of Colors: NCOIC State Honor
National Anthem: TSG Erin McPherson

Reflection: Chaplain Linda Cowan

Host Remarks: Mr. Clarence A. Johnson, Acting Deputy Under Secretary of Defense

Guest Speaker: The Honorable Judy Chu, U.S. Congresswoman, California District 32

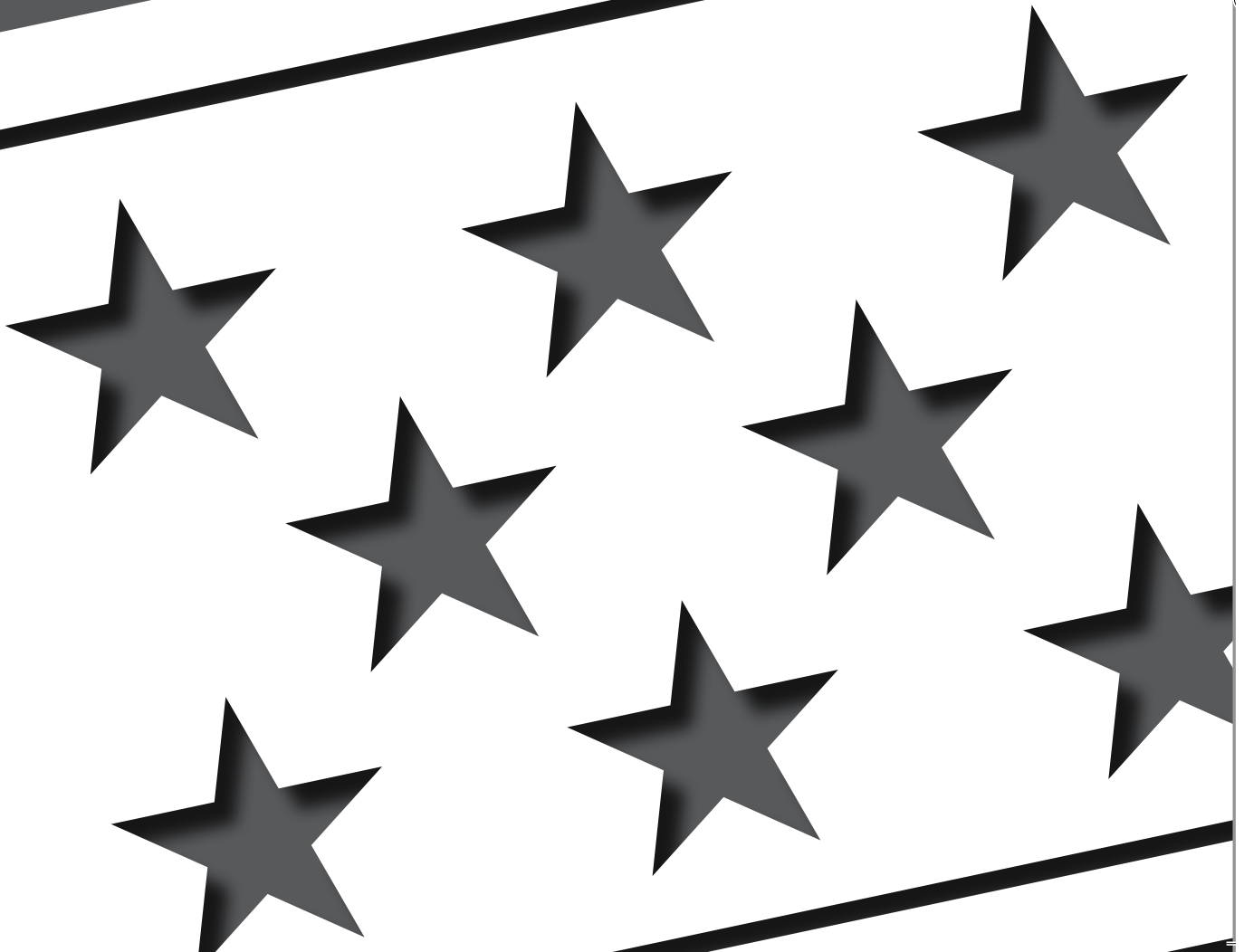
Keynote Speaker: Steve L. Muro, Acting Under Secretary for Memorial Affairs, U.S. Department of Veterans Affairs

Remarks: Karen Hannah, Civilian Personnel Management Service, Veteran’s Hiring Initiative, Department of Defense



**Centro de recursos
para veteranos**

1800-998-9999





Featured Events

Thursday, December 3

7 pm to 9 pm, Opening Reception: Kick-off the summit with a private reception featuring the Community Prosperity Partners.

Friday, December 4

8 am to 10 am

Salute to Veterans Breakfast: This event honors outstanding Veterans who have performed above and beyond the call of duty and sets the stage for the summit.

12 pm to 6 pm & Saturday from 10 am to 4 pm

Veterans Opportunity Expo: Learn about job opportunities, veterans benefits and services at this open to the public and free of charge expo.

12:30 pm to 2 pm

Fallen Heroes Luncheon: Pay tribute to those who have made the ultimate sacrifice at this moving luncheon event.

7 pm to 10 pm

Presidential Awards Gala: This magnificent event highlights individuals who have given outstanding service to veterans throughout the year. Top national leaders will address the veteran community on issues of critical importance to them.

Saturday, December 5

Noon to 2 pm

Leadership Opportunities

Luncheon: Featuring outstanding veteran and community leaders, this luncheon is a motivational event for youth and adults alike.



HONORING ALL WHO SERVED

VETERANS DAY 2009



NOVEMBER 11, 2009

